

RECEIVER T f (MODIFIED)

Y9

Date of design: 1917.
Frequency Range: 120 - 600 kc/s. Normal. 67 - 600 kc/s when used with a 6 jar aerial parallel condenser externally connected.
Where fitted: With Transmitter T21C. (See page Y4).
Valves and method of coupling: Three VR12F.
One cumulative grid detector (1) transformer coupled.
Two note magnifiers (2)(3) transformer coupled.

Receiver Tf modified is a tuner amplifier in which the aerial circuit is tuned and direct coupled to the grid of the detector valve (1), thus also forming the tuned grid circuit of that valve.

EQUIVALENT CIRCUIT

ONE VALVE POSITION

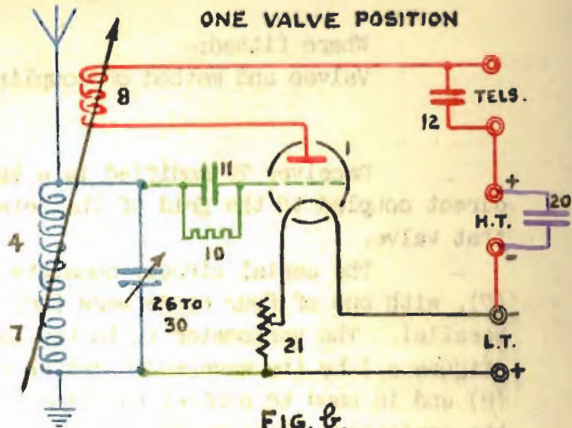


FIG. 6.

EQUIVALENT CIRCUIT

THREE VALVE POSITION.

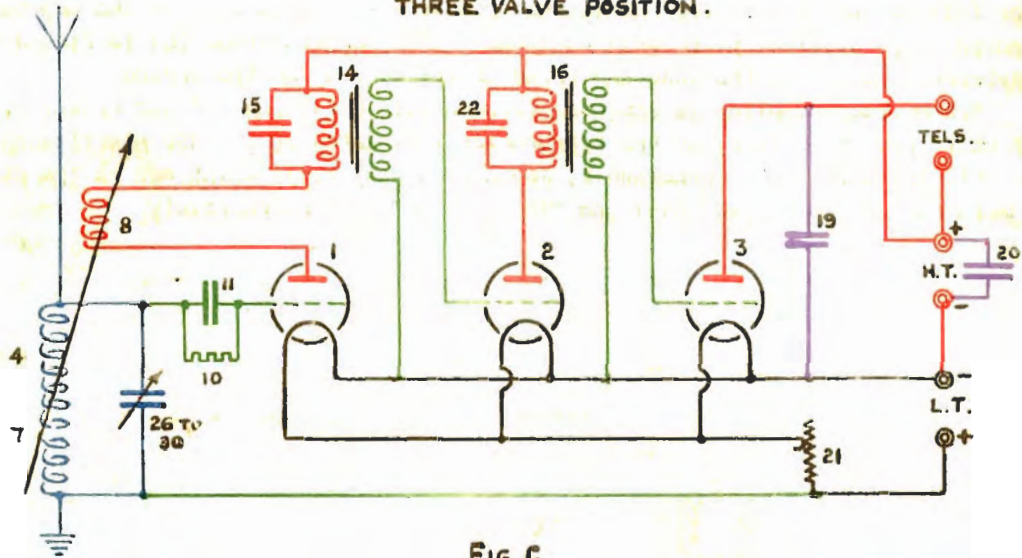


FIG. C.

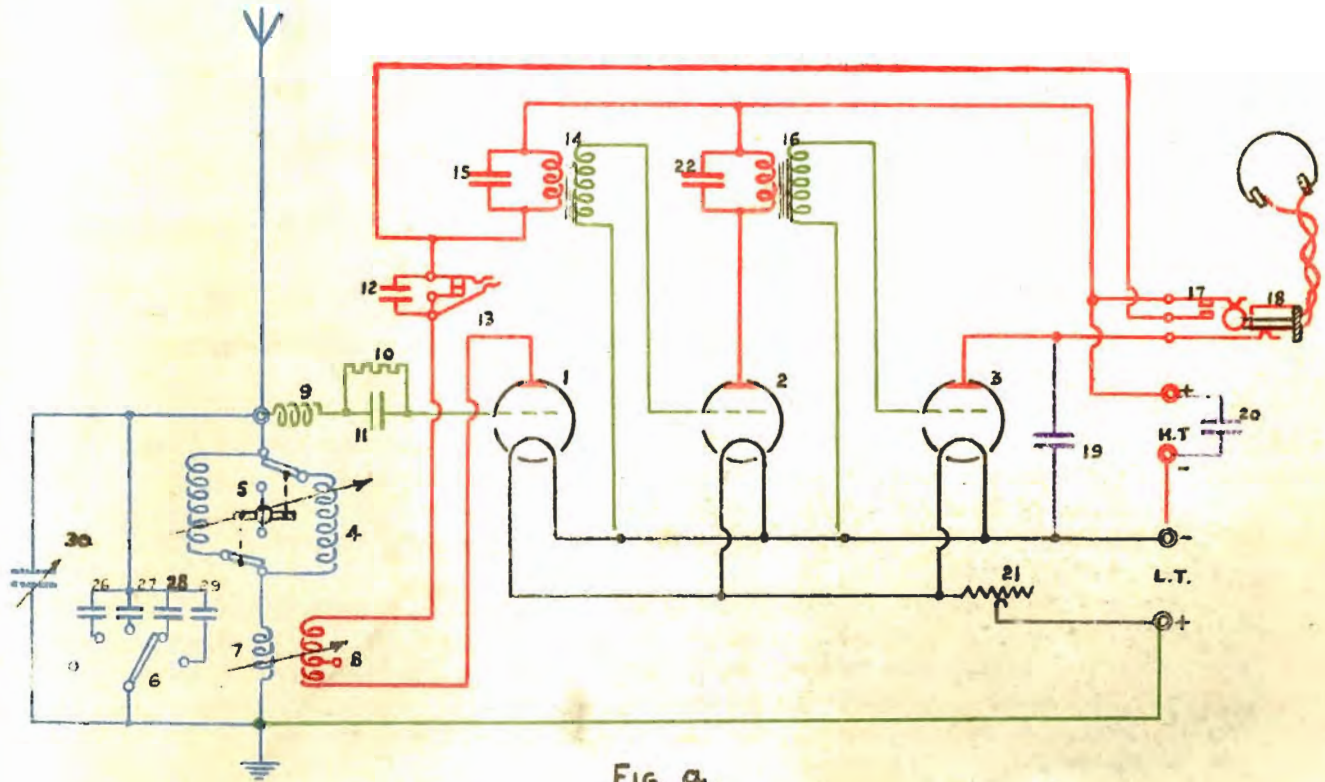


FIG. a.

CONNECTIONS FOR NORMAL RECEPTION.

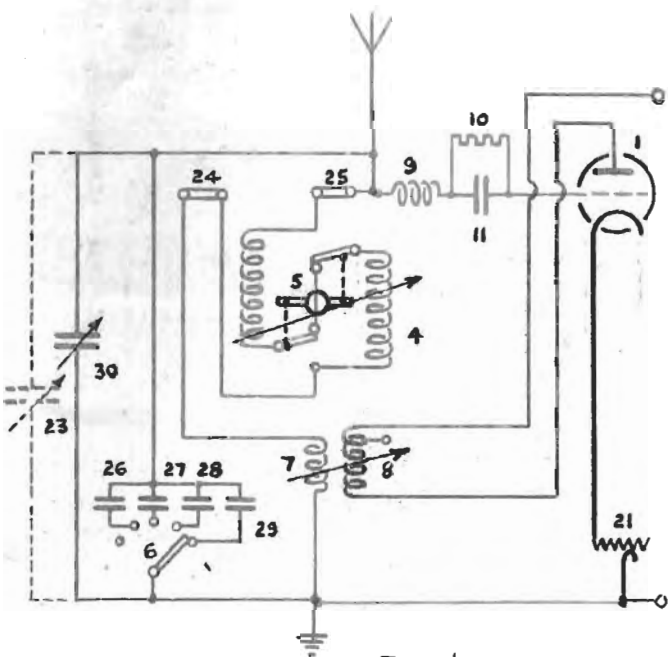


Fig. d.

CONNECTIONS FOR USE WITH D/F AERIAL.

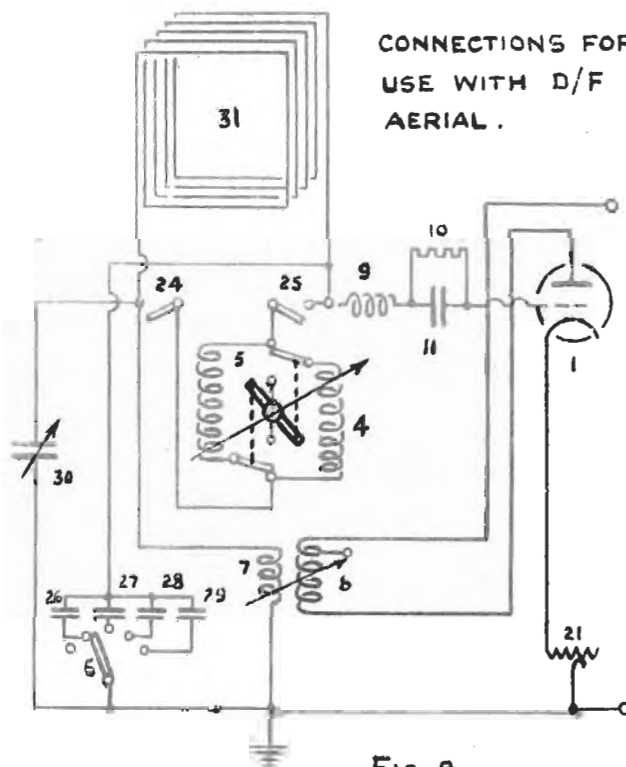


Fig. e.

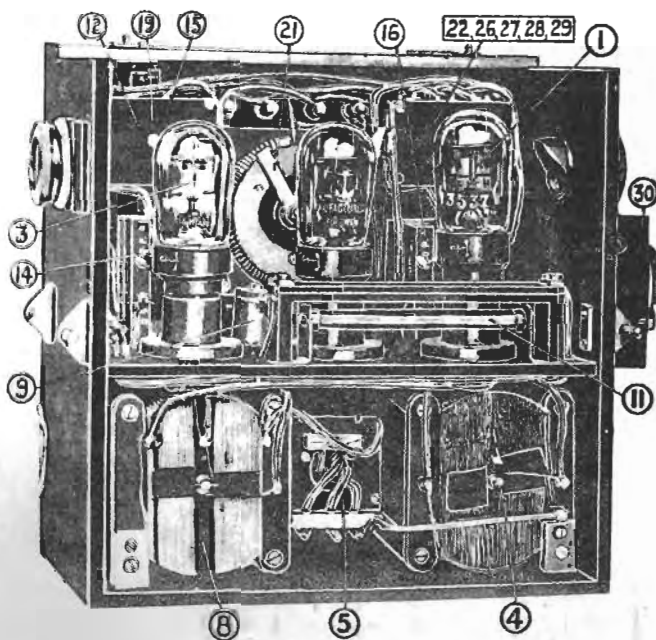


Fig. f

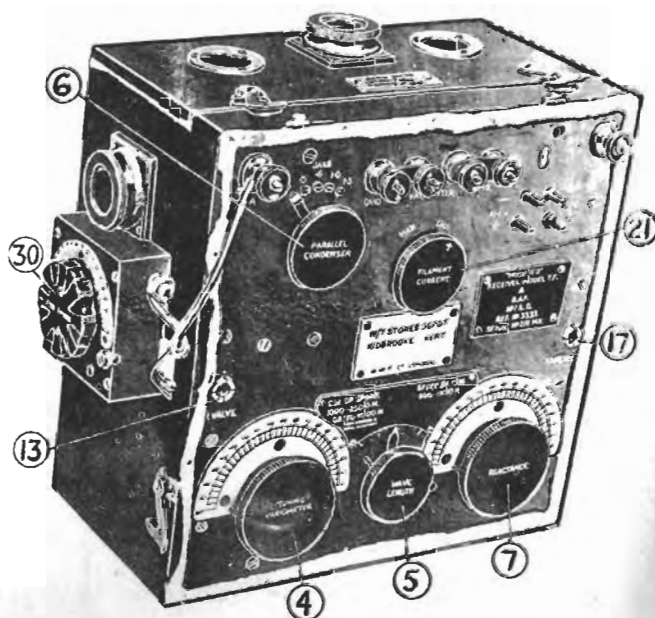


Fig. g